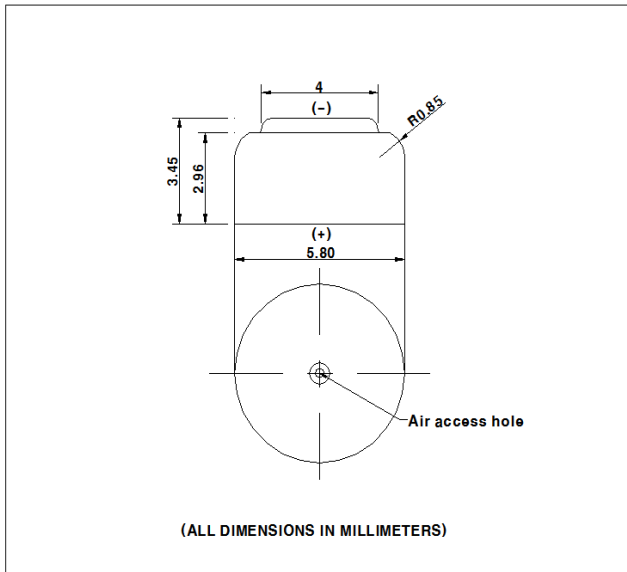


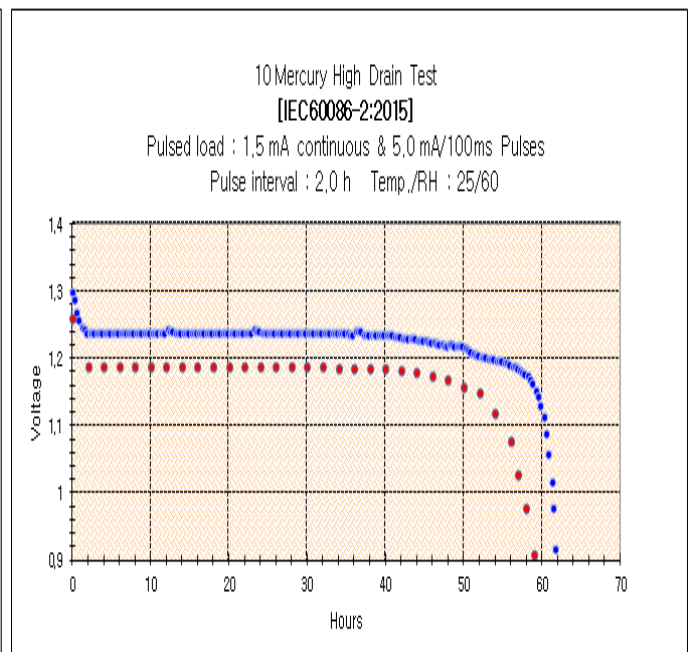
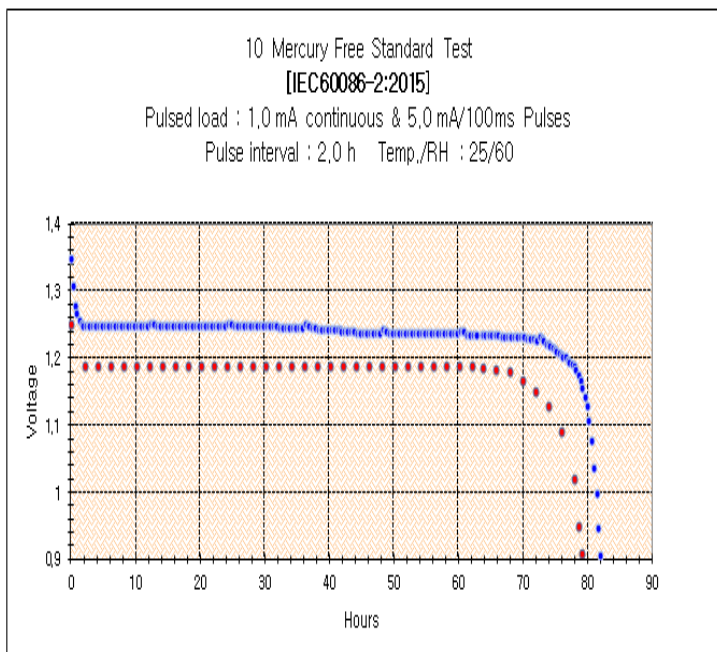
## 10 Mercury-Free Engineering Data sheet

### SPECIFICATIONS

|                     |                  |
|---------------------|------------------|
| Type designation :  | 10DS             |
| Nominal voltage :   | 1.45V            |
| Typical capacity:   | 90mAh            |
| Average weight :    | 0.31g            |
| Operating Temp :    | -10°C ~ 50°C     |
| Impedance :         | ≤8Ω (at AC 1KHz) |
| Available current : | 4mA at 1.1V      |
| IEC :               | PR70             |
| Terminals :         | FLAT             |
| Shelf life :        | 4 years          |



### (Discharge Charts of IEC 60086-2:2015 Standards)



#### Important Notice

This data sheet contains information specific to batteries manufactured at the time of its publication  
**Contents herein do not constitute a warranty.**  
 Copyright **iCellTech Corp.** – All Rights Reserved