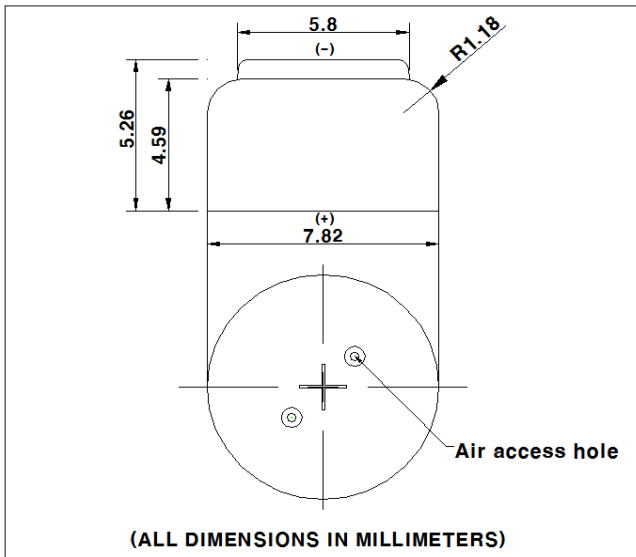


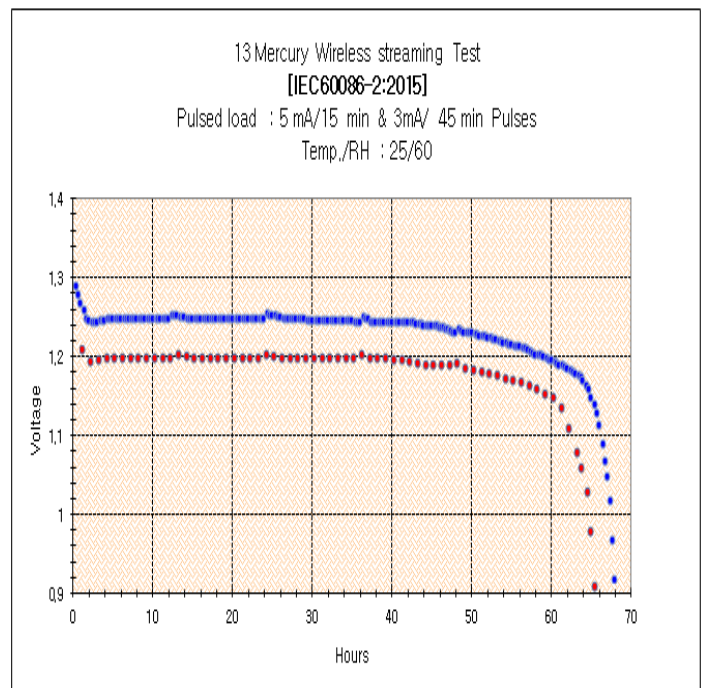
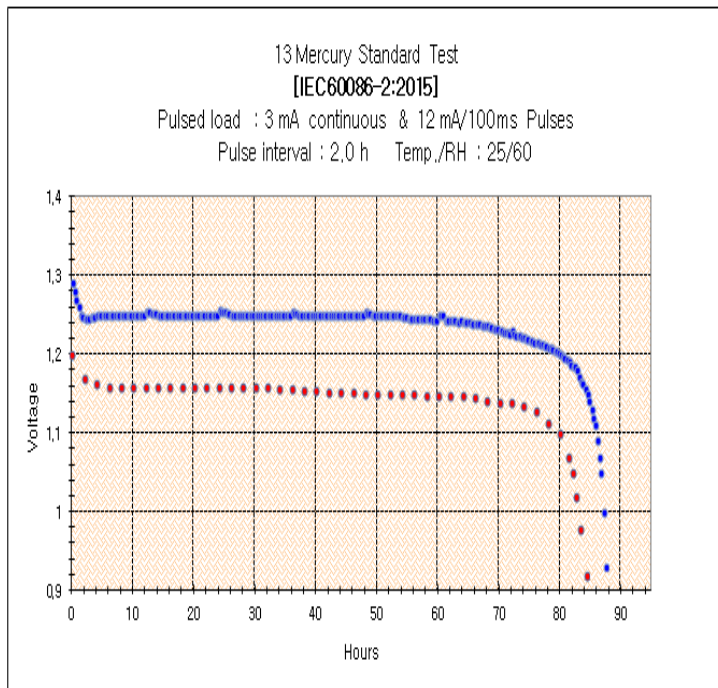
13 Mercury-Free Engineering Data sheet



SPECIFICATIONS

| | |
|---------------------|------------------|
| Type designation : | 13DS |
| Nominal voltage : | 1.45V |
| Typical capacity: | 270mAh |
| Average weight : | 0.82g |
| Operating Temp : | -10°C ~ 50°C |
| Impedance : | ≤5Ω (at AC 1KHz) |
| Available current : | 10mA at 1.1V |
| IEC : | PR48 |
| Terminals : | FLAT |
| Shelf life : | 4 years |

(Discharge Charts of IEC 60086-2:2015 Standards)



Important Notice

This data sheet contains information specific to batteries manufactured at the time of its publication
Contents herein do not constitute a warranty.
Copyright **iCellTech Corp.** – All Rights Reserved